

Centerm
All-In-One



V660

PROFILE

V660 All-in-One client is the perfect replacement of PC plus monitor solution adopting high performance Intel 10th Core i3 processor, big 21.5' screen and elegant design.

FEATURES

➤ Professional operating system

Installed with Centerm professional Win10 IoT cloud client operating system, secure and reliable

➤ VDI Support

Supports Citrix, VMware and Microsoft virtualization solutions offer smooth user experience

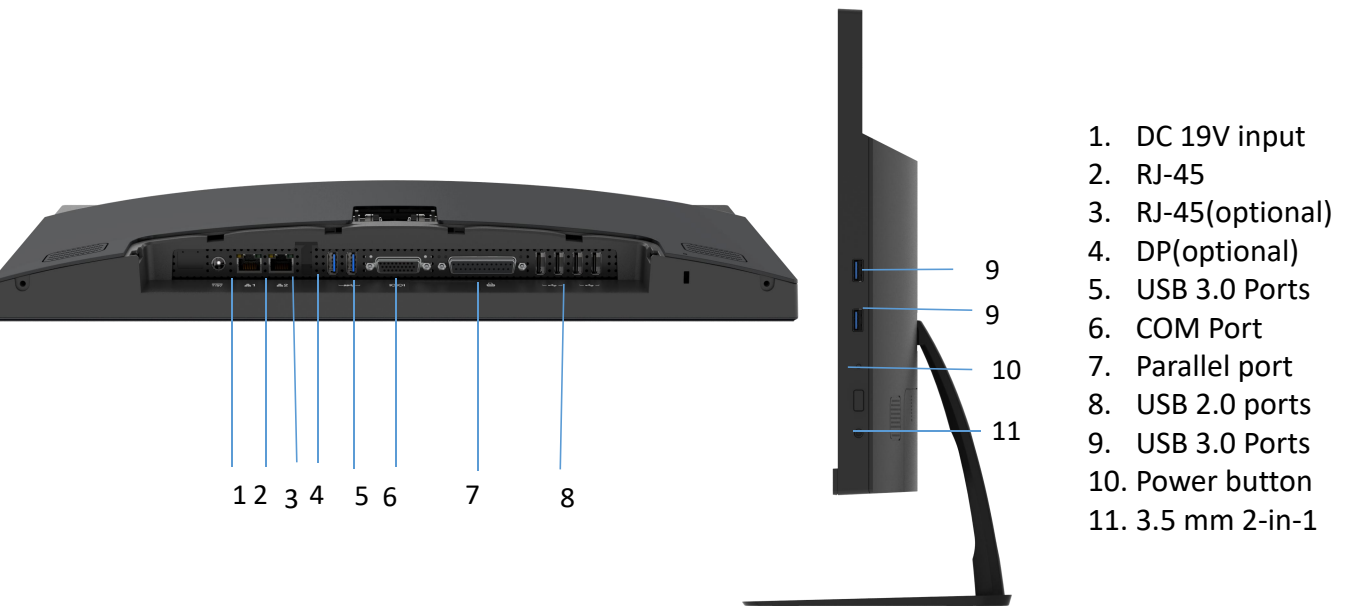
➤ Leading the All-in-One Trend

With the compact and stylish appearance, greatly saves users' space, leads the All-in-One trend.

➤ Varied Peripherals

8 USB ports, compatible with lots of peripherals

CONNECTIVITY



SPECIFICATION

SYSTEM

Processor	Intel i3 quad core 3.6GHz
Operating System	WIN 10 IOT
Management	CDMS ¹

MEMORY

RAM (DDR4)	8GB
Storage	128GB mSATA

DISPLAY

Screen	21.5" LVDS
Resolution	1920 x1080@ 60Hz

NETWORK

LAN	x 1 (10/100/1000 Base-T Fast Ethernet, RJ-45)
-----	---

I/O PERIPHERAL

USB 2.0	x 4 (rear)
USB 3.0	x 2 (rear) x2 (side)
Serial Port	x1 (extensible to 4 via cable)
Parallel Port	x1

AUDIO

Port	3.5 mm 2-in-1
------	---------------

DIMENSION

Device	490mm x 361mm x 162mm (including stand) 490mm x 292mm x 51mm (without stand)
--------	---

POWER

Adapter	Worldwide auto-sensing 100-240V AC, 50/60 Hz, 19V/6.32A/7.89A DC
TDP	<65W

MOUNTING

Stand	Vertical feet standard
Security	Standard Kensington anti-theft keyhole

ENVIRONMENT

Cooling	Fan Convection
Operation Temperature	0°C to 40°C
Relative Humidity	30% to 90% non-condensing

¹ CDMS: Cinfin Desktop Management System

OPTIONAL CONFIGURATION

CPU	Intel i5 hexa core 3.1GHz
RAM (DDR4)	Max up to 64 GB
Storage	x 1 m.2 (2242 or 2280) x 1 SATA for HDD
Network	x 1 (10/100/1000 Base-T Fast Ethernet, RJ-45)
Wi-Fi	1 x m.2
Display	1 x DP 4096x2304@60Hz
TPM	2.0